

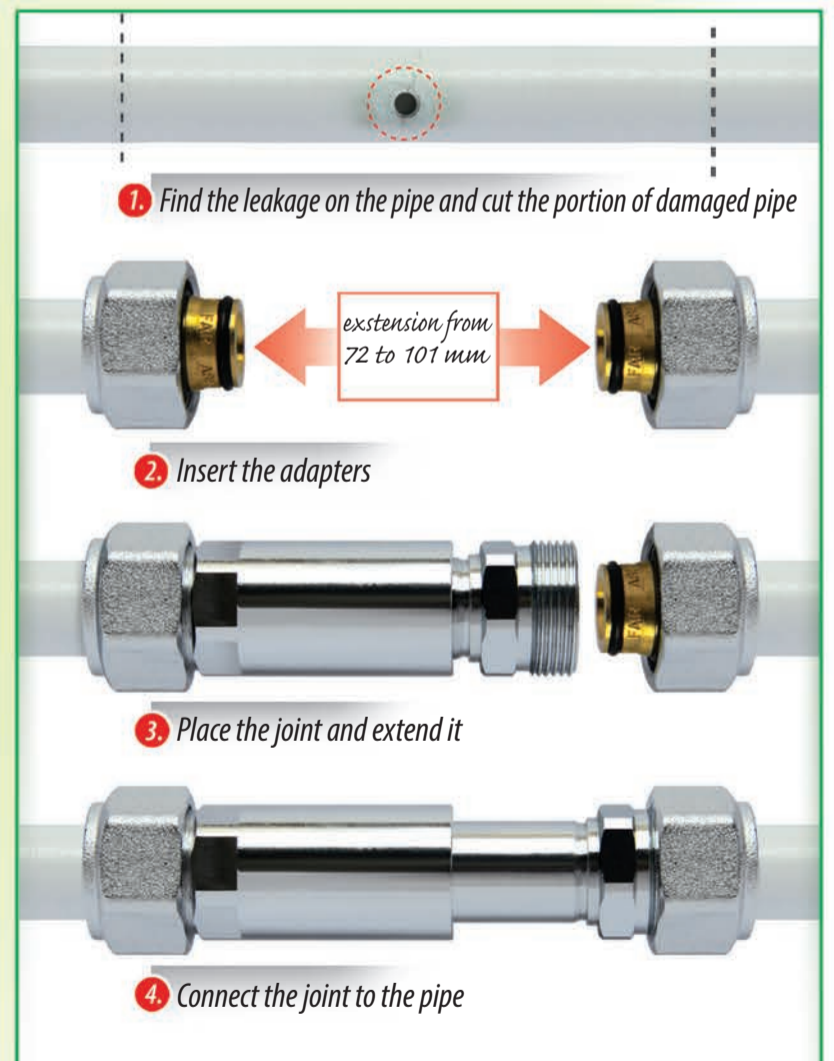
Repair joint

SIMPLYFAR



- ▶ Body made of brass CW614N
- ▶ Interchangeable connections for copper, plastic and multilayer pipes
- ▶ EPDM double sealing O-ring
- ▶ Suitable for underfloor installation

Available in EUROKONUS version



SUITABLE FOR ALL KINDS OF PIPE



MADE IN ITALY

FAR

A company in motion

In these difficult economic times, **FAR** is bucking the trend, standing out from the crowd due to its unique dynamism.

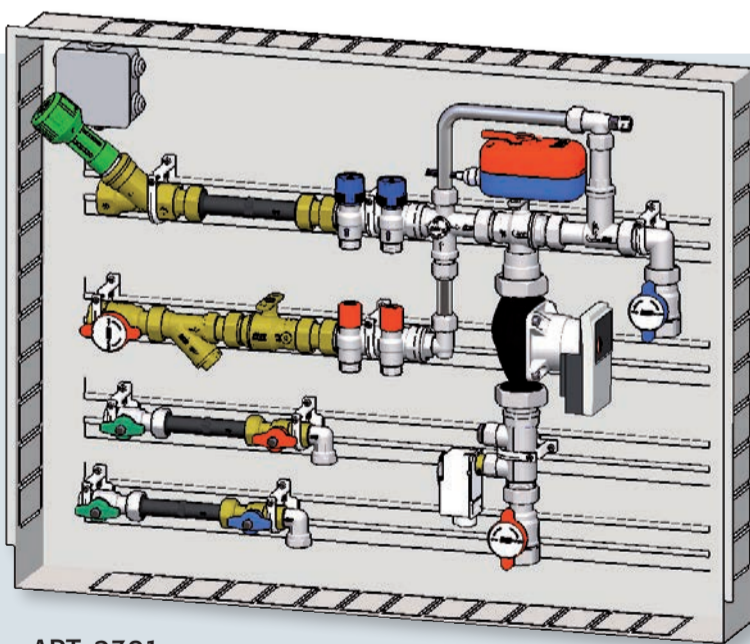
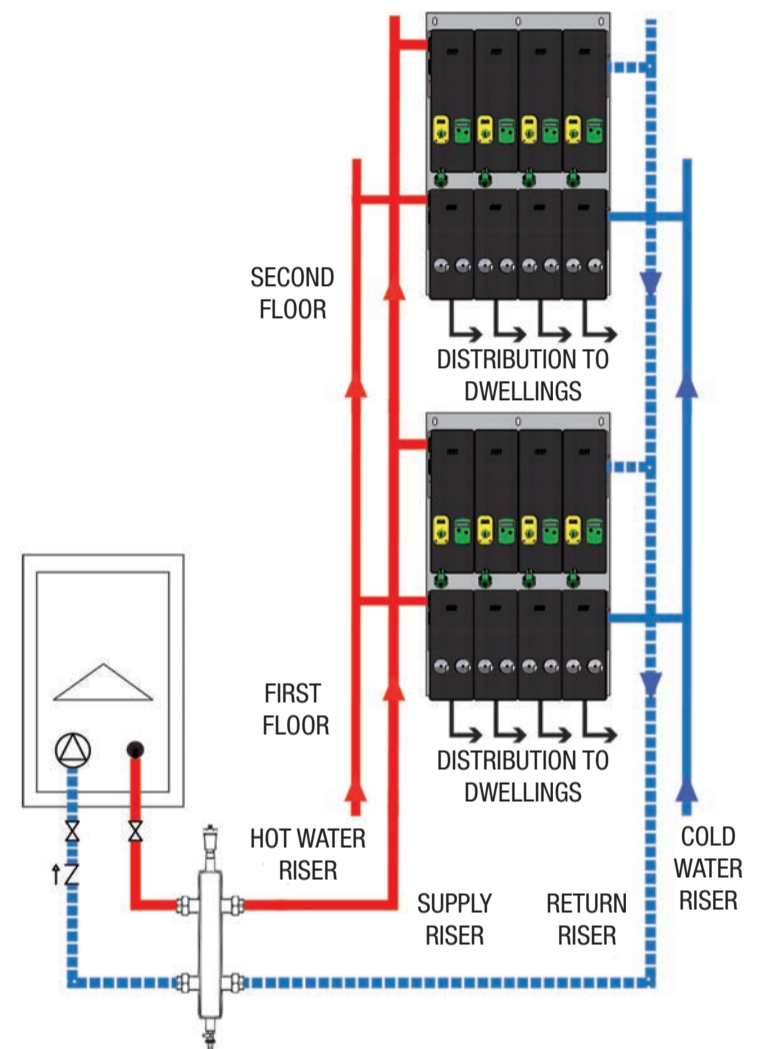
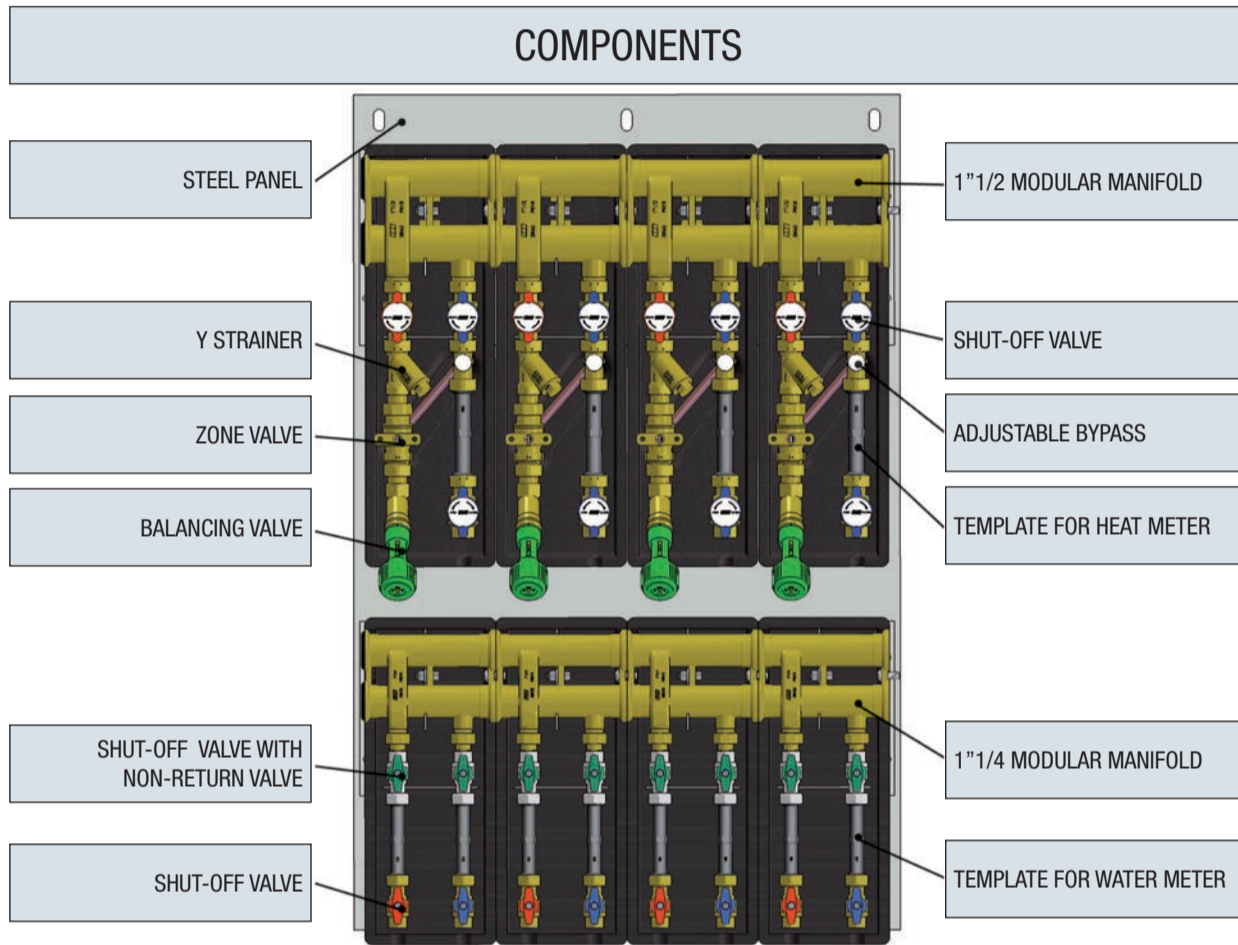
Following the acquisition of a new plant and the expansion of existing facilities, the company now occupies a total covered production area of 20.000 square meters, as well as 25.000 square meters of open space and 1.000 square meters of office space.

With its true pioneering spirit, **FAR** continues to face future challenges with confidence and enthusiasm.

Direct metering system

The FAR metering system consists of modules that are preassembled in a box or on a panel as well as the equipment used to obtain consumption data for individual dwellings.

The new multi-user module for 2, 3 or 4 users is ready-to-install in compartments and is supplied preassembled on a steel panel measuring 770x1150 mm.

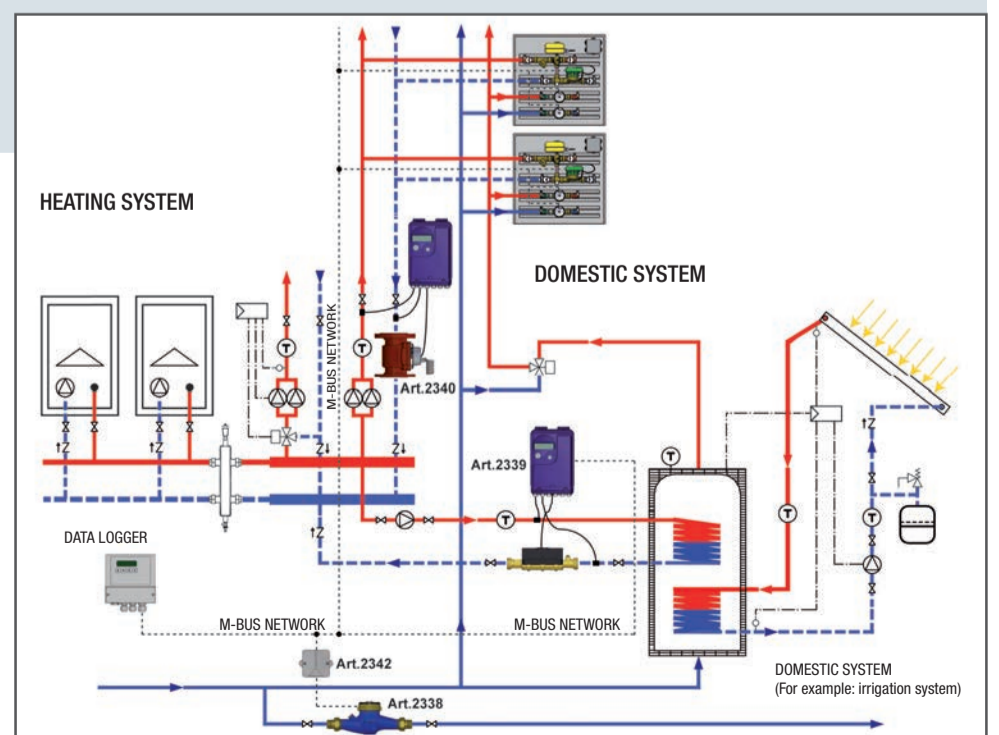
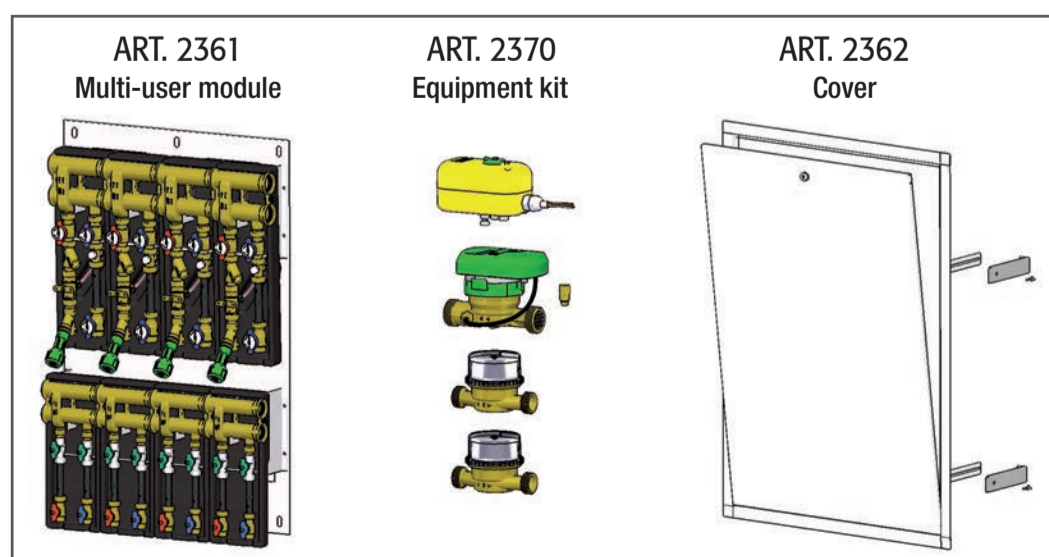


ART. 2381

Equipment conforms to MID 2004/22/CE

It is possible to read consumption data either directly on the display or via an M-Bus network.

Mixed metering system module for heating plants complete with connections for high temperature and MODULATING regulation unit



Components for central heating

Smart

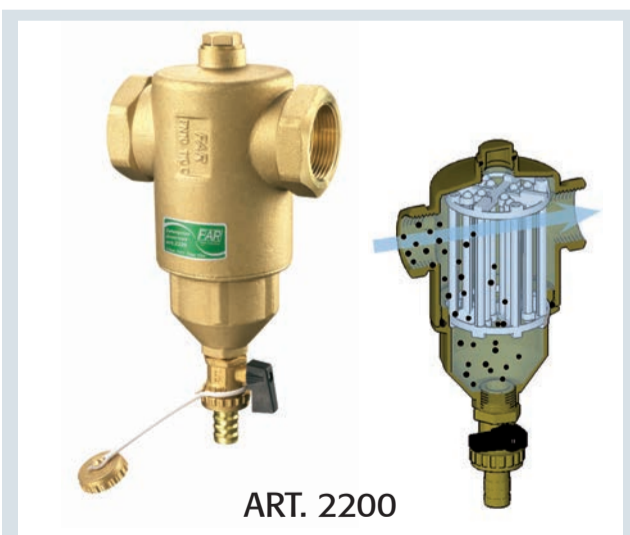
Dirt separator

The compact swivelling dirt separator can be installed on the pipeline in either vertical or horizontal position, as the part with threaded connections can rotate through 360° around its own axis.

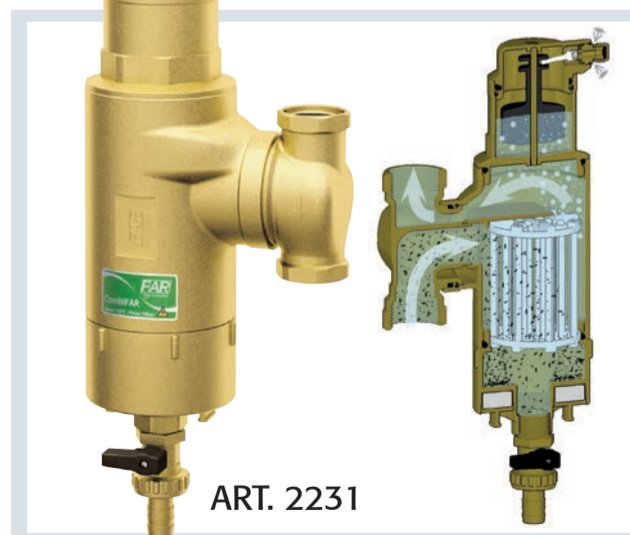
MAGNETIC INSERTS

ART. 2272

DIRT SEPARATORS



COMBIFAR



DEAERATORS



The range of FAR dirt separators and deaerators offers a wide range of articles:

- Fixed and swivelling connections (depending on the version)
- Dirt separators with or without magnetic inserts
- Complete with insulation
- Combined dirt separators-deaerators
- Sizes: 3/4" - 1" - 1" 1/4 - 1" 1/2 - 2" (depending on the version)

Central heating systems



ART. 2171

Booster unit for high temperature, complete with pump and insulation.



ART. 2174

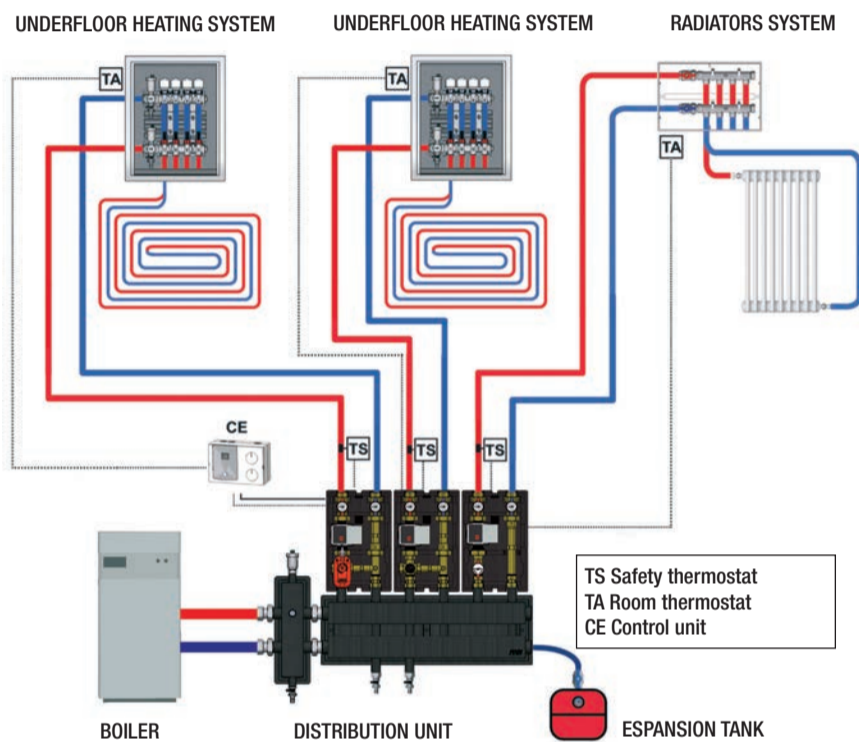
Set point booster unit, complete with thermostatic mixer, pump and insulation.



ART. 2176

Mixed booster unit, complete with mixing valve with 3-point actuator, pump and insulation.

FAR offers its own range of products designed for small and medium central heating systems. All booster units feature 1" connections and are equipped with high efficiency pump with 6, 7 or 8m.



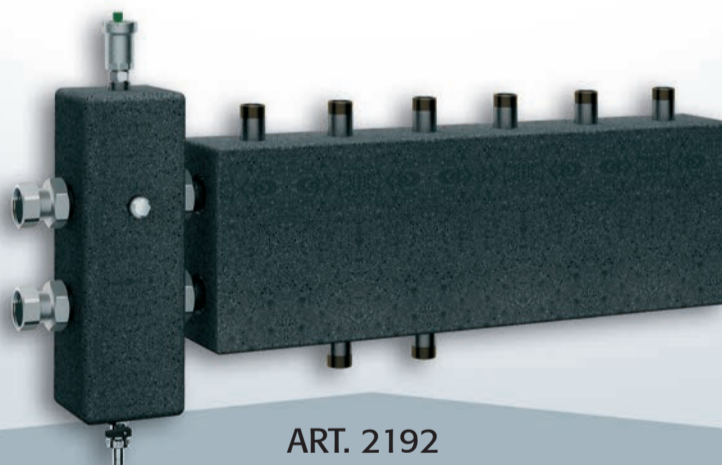
ART. 2177

Booster unit for high temperature complete with 4 shut-off valves, differential bypass, pump and insulation.



ART. 2178

Set point booster unit, complete with thermostatic mixer, 4 shut-off valves, differential bypass, pump and insulation.



ART. 2192

Distribution unit for central heating, complete with 1 1/4 hydraulic separator and manifold, is suitable for use with up to three booster units.



ART. 2164

Hydraulic separator complete with flanged connections and insulation. Available sizes: DN50, DN65, DN80, DN100. Complete with drain cock and automatic air vent valve.



ART. 9611

Temperature control unit preset for climatic operation, complete with delivery probe and external probe.



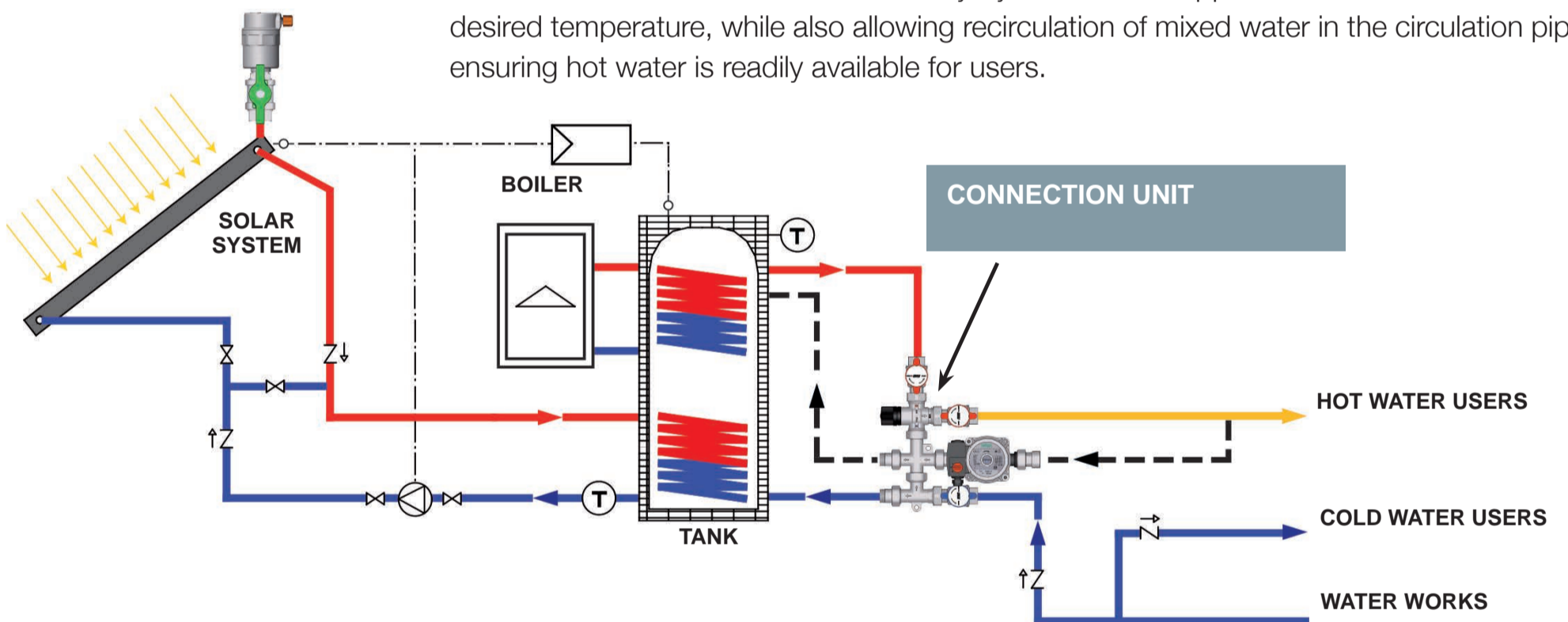
ART. 2179

Mixed booster unit, complete with mixing valve, 4 shut-off valves, differential bypass, pump and insulation.

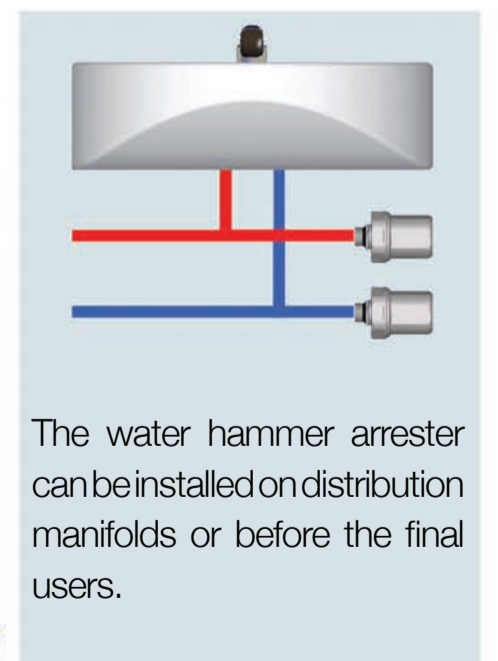
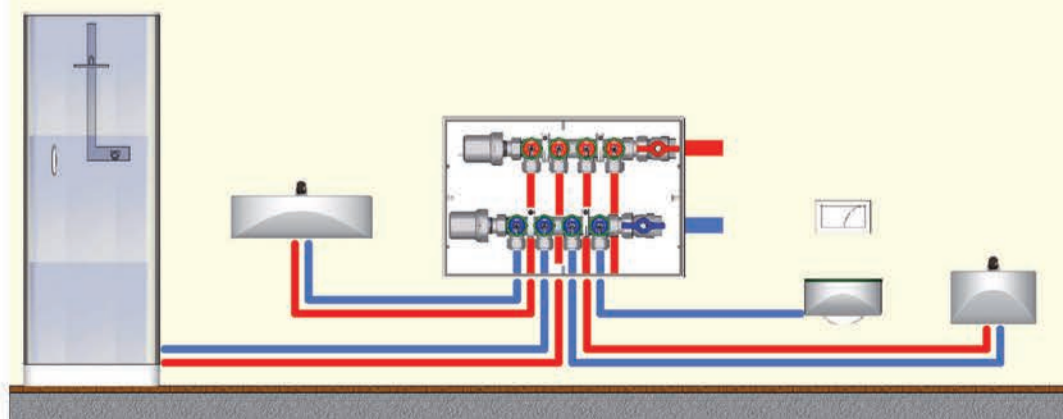
Connection units for domestic services with recirculation



The recirculation unit allows the sanitary system to be supplied with mixed water at the desired temperature, while also allowing recirculation of mixed water in the circulation pipe, ensuring hot water is readily available for users.



Water hammer arrester



The water hammer arrester for domestic services mitigates the effect of overpressure, preserving the correct functioning of the components in the system. The device can withstand a maximum pressure of 50 bar and a maximum working temperature of 90°C

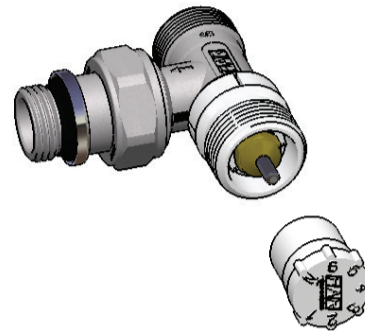
Upgrading of energy efficiency of buildings



PRESETTING VALVES



Chrome-plated PRESETTING thermostatic valves, available in angled and straight versions in 3/8" and 1/2" sizes with connections for copper, plastic, multilayer and iron pipe.

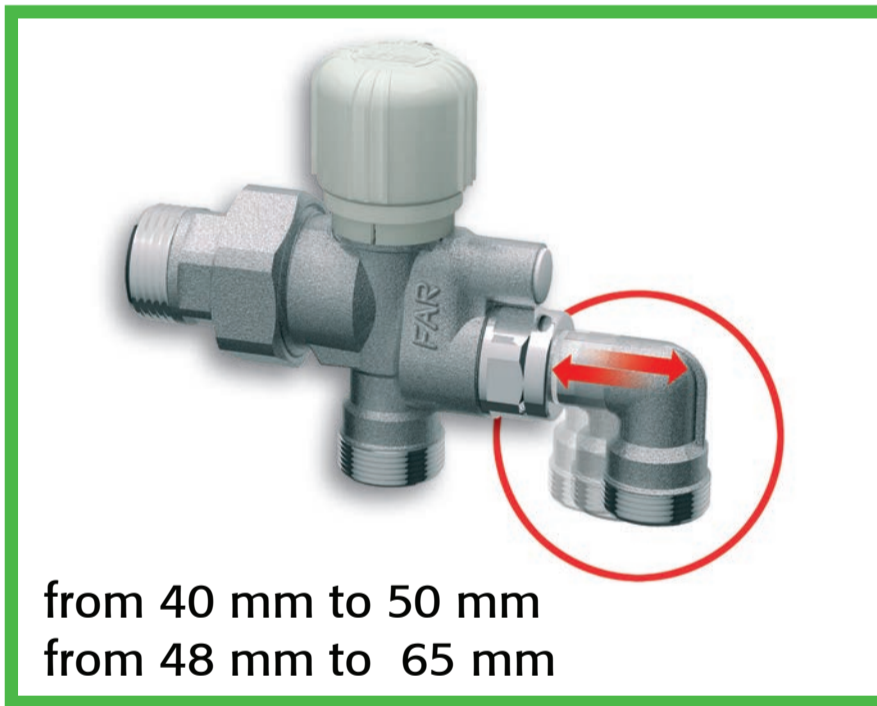
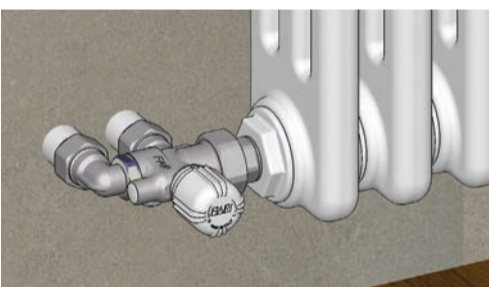


Valve calibration is carried out by means of a regulating numbered key on the body.

Single/double pipe thermostatic valves with adjustable centre line



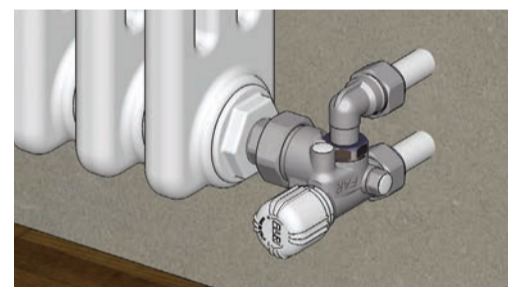
ART. 1425



from 40 mm to 50 mm
from 48 mm to 65 mm



ART. 1428



The new single/double pipe thermostatic valves with adjustable centre line are suitable for installation into new and existing systems. Available with 40-50 mm and 48-65mm centre line in 1/2", 3/4" and 1" sizes.

THERMOSTATIC HEAD



ART. 1824

ART. 1827

Compact and elegant in design, FAR thermostatic heads allow you to automatically control the opening and closing of the radiator valves.

CHRONO-THERMOSTATIC HEAD



ART. 1820

The chrono-thermostatic head is a compact programmable thermostat for radiators that allows you to vary the set-point temperature of the room throughout the day / week.

Zone valves

2-3 and 4 way ball zone valve with on/off actuator.
24V or 230V actuator, torque from 6 to 35 Nm, from 8s to 80s opening time.
Zone valves with quick-coupling installation.
Available sizes: 1/2", 3/4", 1", 1"1/4, 1"1/2 and 2".



Components for solar system

solarfar

Motorized solar units with or without thermal integration

Solar units with thermostatic diverter

Automatic air vent valves

Thermostatic mixers

Deaerator

Fittings

Safety valves and pressure and temperature relief valves



ART. 3090



ART. 3091



ART. 3092



ART. 2068



ART. 3955



ART. 2252



ART. 5870



ART. 2009



Home sweet home



Heating systems
Domestic services
Metering systems

www.far.eu



Complete solutions

- Design
- Domestic Services
- Radiant heating and cooling systems
- Geothermal systems
- Controlled mechanical ventilation

www.master-system.it



FAR Rubinetterie S.p.A.
Via Morena, 20 - 28024 GOZZANO (NO) - ITALY
Tel. +39.0322.94722 - Fax +39.0322.955332
info@far.eu - export@far.eu - www.far.eu

MA.S.TER SYSTEM S.r.l.
Via L. Galvani, 185 - 45021 BADIA POLESINE (RO) - ITALY
Tel. +39.0425.51241 - Fax +39.0425.595039
info@master-system.it - www.master-system.it